

# R510X 1-channel receiver user manual

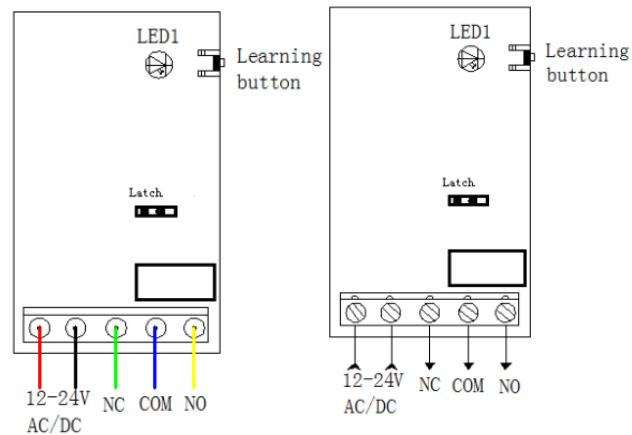
## I. Safety Instruction

1. For security, please read instructions carefully before initial operation; making sure that the power is off before connection.
2. Please clear the memory before initial operation. (Ref: Erasing ALL learned/memorized Transmitters )
3. Do not learn the remote control when motor is operating in order to avoid mis-operation.
4. The received signal may be interfered by other communication devices. (e.g. the wireless control system with the same frequency range)
5. It is forbidden to control the high-risk coefficient equipment / system. (e.g. cranes)
6. It is used only for the manual remote control and wireless control equipment / system which must not endanger life or property during running failure, or its security risks have been eliminated
7. It should be applied in dry indoor place or in the electric appliance place.
8. If connected wire is too long , the receiver may work unstable

## II. Technical parameters

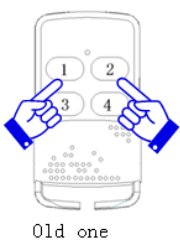
1. Working voltage:12-24VAC/DC
2. Temperature range:-20℃ to 60℃
3. Working frequency:433.92MHz
4. Stored transmitters: Rolling code 30-300PCS;  
Fixed code 60-600PCS
5. Open code: Can match various brand rolling code  
(The safety level is lower than the standard rolling code)
6. Relay contact load capacity:: 1A,30V DC
7. Size:58\*34\*20mm
8. Weight: 36g

## III. Connection Instruction



## IV. Set up and working process

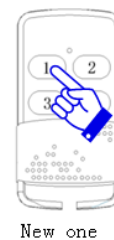
- 4.1 Learning transmitter: Press the learning button S1 of the receiver, then LED is red. Press any one of the transmitter twice times, LED flickers and continues on several seconds, then turns into green. It is indicated the learning is successful.
- 4.2 Deleting transmitter: Press the learning button S1 for a long time, the indicating lamp is red for 8 seconds, and then turns into green, release the learning button, LED is red for 2 seconds and then turns into green; it is indicated the deleting is successful.
- 4.3 Latch and non-latch: It's non-latch when disconnect short circuit cap on LATCH(Deadman) , It's latch when connect (Impulse).
- 4.4 Self-learning function: Use the transmitter that already has been learned as mother transmitter, it can start the learning function and learn new transmitter without pressing any learning button. (Press button 1 and button 2 at the same time and then press button 2 to let the receiver enters into the learning process )



STEP 1:  
Use the trasmitter that already has been learned as old transmitter, press button 1 and button 2 at the same time



STEP2:  
then press button 2 to let LED turns into red. New transmitter can be learned.



STEP3:  
Press the same button on the new transmitter twice. The learning process done. In this way , new transmitter can be learned without pressing the learning button on the control board.

## V. Operation

- 5.1 Receiver can learn transmitter after pressing any button of the transmitter .
- 5.2 Only one button can be learned into the receiver for a transmitter. Eg: button 1 will be replaced if you learn button 2 after learning button 1.
- 5.3 Non-latch: Keep pressing the button, receiver starts working. Release the button, receiver stops working .
- 5.4 Latch: Press the button, receiver starts working. Press button again, receiver stops working .

## VI. Model list

MODEL(12-24V AC DC)	R5101	R5102	R5103	R5104	R5105	R5106	R5107	R5108	R5166	R5167	R5170	R5171
Frequency	433.92Mhz											
Code	Rolling code				Fixed code				Open code			
Transmitter stored	30	30	300	300	60	60	600	600	30	30	300	300

The interpretation and ownership of this manual belong to Hiland company. Any change of the product can be without prior notice.